

微型通孔型滑环 (Mini through hole slip ring)

VSR-TC



TC 系列是微型中心带孔滑环，其轴的中心位置有直径 7、15、20mm 的通孔。结合标准通孔式滑环与帽式滑环的优点，采用多触点贵金属纤维刷接触，长寿命设计，精密双滚珠轴承，铝合金外壳，可选的安装法兰。具有工作可靠，驱动扭矩低、电气噪音低、体积小等特点，适用于微弱信号或小功率电流传输。

TC serial slip ring capsule is a micro slip ring ,there have a 7,or15,or20 mm through-bore in the center of the shaft, it have the goodness of capsule & through bores slip ring ,this design features long life & low cost,fiber Precious metal brush contact technology for ultimate performance in many challenging applications. With aluminum body,double precision roller bearings provide smoother running,lower torque and lower electrical noise. it is suitable for signal & low power transfer.

特点 Feature

- 7、15、20mm 通孔，12、24 通路可选
7,15,20mm through-bore,provid 12 or 24 ways
- 紧凑结构，满足微型化需求
Compact miniature design, small size fit for harsh space.
- 信号电流可在同一个滑环内通过
Multiple circuit configurations for power & data signals.
- 可与光纤滑环组合
Hybrid FORJ or High Frequency rotary joint
- 无需维护
Without any maintain.

应用 Application

- 旋转平台、测试设备;
Rotary index tables, test equipment.
- 机器人和旋转传感器
Robotics,process equipment and rotary sensors.
- 展台设备;
Exhibit / display equipment
- 医疗设备
Medical equipment;

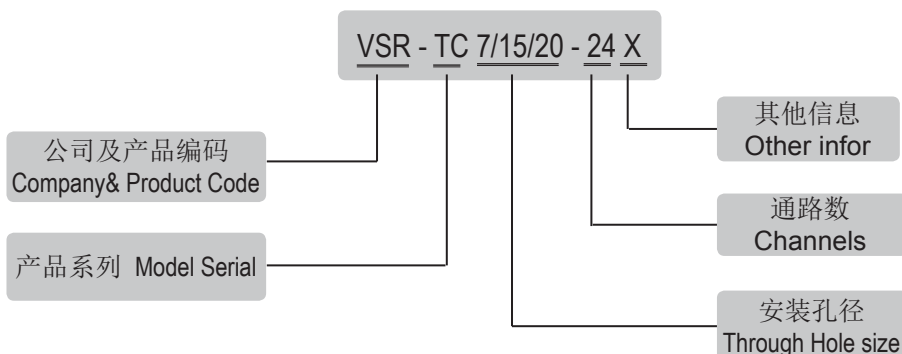
性能规格 Specification

工作电压 (Voltage)	240V AC/DC
电流 (Current Rating)	2A/ 路 (2A/Ring)
转速 (Speed)	300 转 / 分 (300PRM)
绝缘电阻 (Insulation Resistance)	500MQ min @600VDC
耐压 (Dielectric Strength)	AC 600V@60Hz, 60S
电气噪音 (Electrical Nosit)	40 milliohms MAX @ 5rpm,50milliamps,6V DC
接触材料 (Contact Material)	贵金属 (Precious metal)
导线规格 (Lead Size/Type)	AWG 28# Teflon wire(silver plating)
工作温度 (Operate Temp)	-30℃ ~ +80℃
防护级别 (Protection Class)	IP50

可选项 Option

- 更高转速
Higher speed
- 更宽的温度范围
Wider range of temperature
- 更高的防护级别
Higher protection class
- 安装法兰
Flange for install
- 导线末端接插件及热缩套
Available connector and Heat-shrink tube

编码规则 Encode Rules



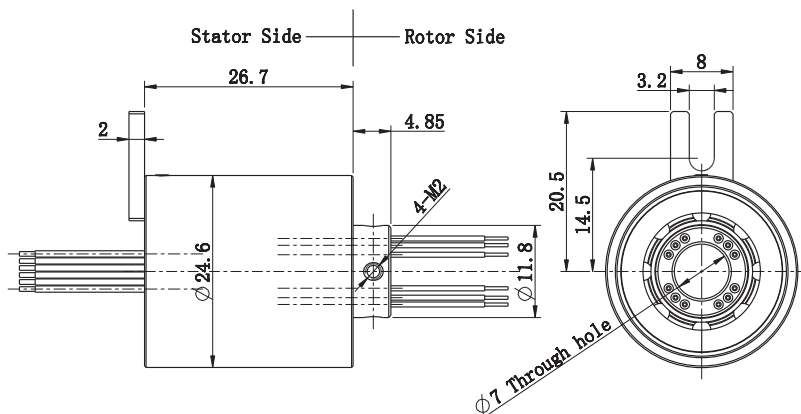
为您提供专业的 360° 旋转方案

You rotate solution

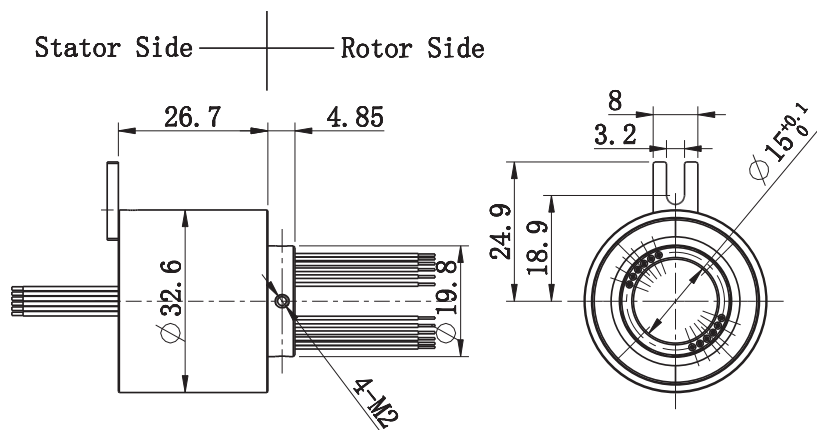
微型通孔型滑环 (Through-Bores Capsule)

图纸 Drawing (Units:mm)

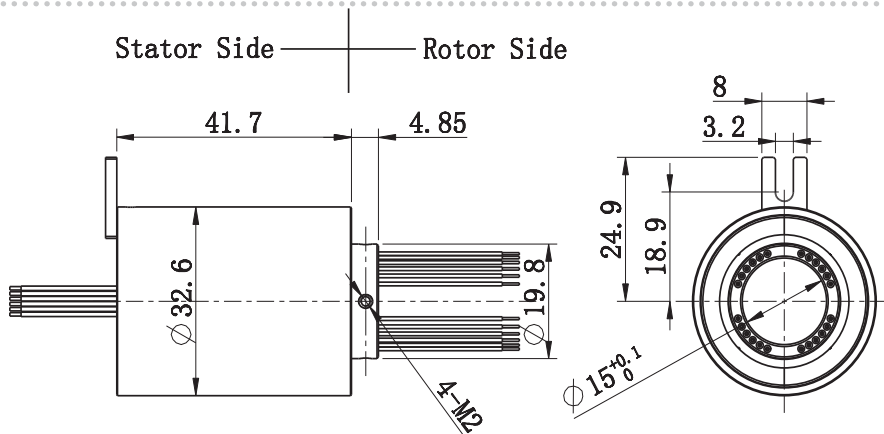
型号 Model No	VSR-TC7-12
中心孔径 Through Hole size	7.0 mm
主体外径 Outer diameter	24.6 mm
通路数 Channels	1~12
主体长度 Length	26.7 mm



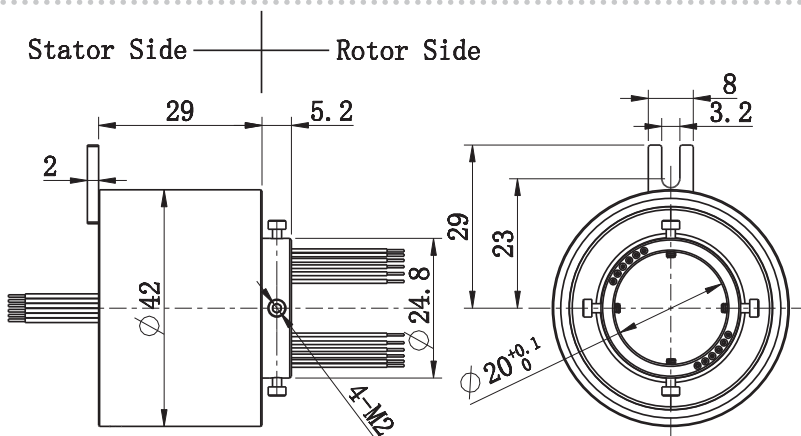
型号 Model No	VSR-TC15-12
中心孔径 Through Hole size	15.0 mm
主体外径 Outer diameter	32.6 mm
通路数 Channels	1~12
主体长度 Length	26.7 mm



型号 Model No	VSR-TC15-24
中心孔径 Through Hole size	15.0 mm
主体外径 Outer diameter	32.6 mm
通路数 Channels	13~24
主体长度 Length	41.7 mm



型号 Model No	VSR-TC20-12
中心孔径 Through Hole size	20.0 mm
主体外径 Outer diameter	42.0 mm
通路数 Channels	1~12
主体长度 Length	29.0 mm



Tel : 86-755-27806979

Fax : 86-755-27831321

Web: www.Victory-Way.com Mail: Sales@Victory-way.com